

---

# DRY WELL

---

# FLOAT SWITCH

---



## MODEL FS 202

### FEATURES

- PVC, PBT and Buna N construction for chemical resistance
- Selectable, N.O. or N.C. by inverting float on unit stem
- Reed switch for reliable extended service
- Large float displacement for lower specific gravity liquids

### APPLICATIONS

- Ideally suited for dry pit of sewage pumping stations
- Point level measurement of clear liquids

CONTEGRA's FS 202 dry well float switch provides reliable service as a sentinel in the equipment chamber of a sewage pumping station to alarm on sensing a flood. The switch may also be used in process sumps or water reservoir for point-level measurement of clear liquids (which will not foul the sliding switch).

The FS 202 switch has a hermetically sealed reed switch located inside the stem.

The switch is actuated by a magnet located in the float. As the float rises and falls, the magnetic field passing the switch (in the stem) causes the switch to actuate.

The switch operates in either the "normally open" or "normally closed" mode. Selecting the mode is as easy as removing the retaining clip and reversing the float on the stem.

# MODEL FS 202

## Specifications

### Contact ratings (60 VA):

| Volts  | Amps (resistive) |
|--------|------------------|
| 220 AC | 0.4              |
| 110 AC | 0.5              |
| 120 DC | 0.2              |
| 24 DC  | 0.5              |

(Reference application note)

### Dimensions:

**Height:** 25-7/8 inches

**Width:** 2-7/8 inches

**Depth:** 2-1/4 inches

### Operating Temperature:

0° to +75° C

(+32° to +167° F)

### Media compatibility

Buna N, PBT, and PVC

### Switch Activation

The switch may be changed from N.O. to N.C. operation by removing the retaining clip at the base of the switch, inverting the float, and replacing the clip.

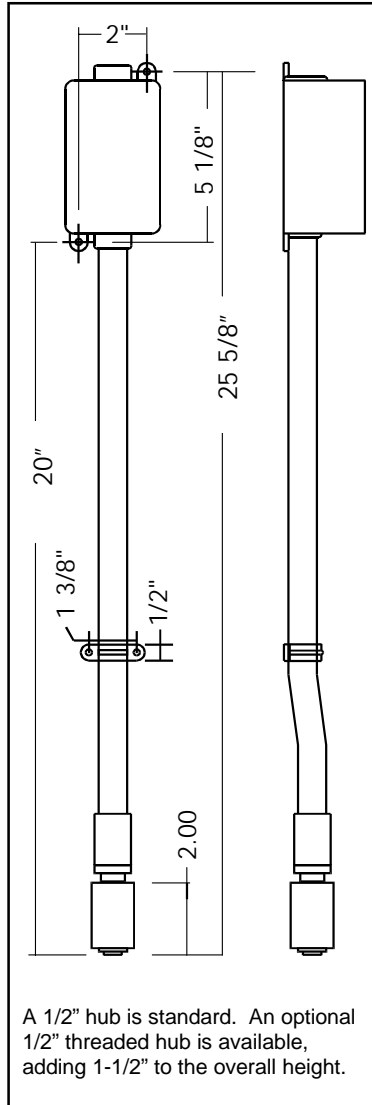
#### N.O. configuration:

Closes with 3/8" rise, opens with 1/16" lowering.

#### N.C. configuration:

Opens with 1/4" rise, closes with 1/16" lowering.

## Dimension Drawing



## Engineering Specifications

A dry well float switch shall be furnished to automatically detect a \_\_\_\_\_ (high / low) liquid level in the \_\_\_\_\_. The switch shall be normally \_\_\_\_\_ (open / closed) and \_\_\_\_\_ (close / open) on a rising liquid level. The float switch and piping shall be submersible. The junction box shall be Nema 4X. All construction shall be of PVC, PBT and Buna N for corrosion resistance. The dry well switch shall be a CONTEGRA Model FS 202 and shall be installed in accordance with project plans and manufacturer's instructions.

## Application Note

Reed switches are capable of long lives. The Model FS 202 is designed for reliable long-term operation in low potential, low current applications. To maintain the switch's longevity when switching an inductive load, it should be used with an interposing load relay.

## Ordering Information

| Model    | Description                     |
|----------|---------------------------------|
| FS 202-S | Sensor w/ 1/2" Slip Fitting     |
| FS 202-T | Sensor w/ 1/2" Threaded Fitting |

**Contegra**

Contegra Inc.  
1286 Carriage Hills Drive  
Eagan, MN 55123

PHONE: 651-905-0900  
FAX: 651-454-4665  
INTERNET: www.Contegra.com

Represented by: